



MIC1-400 Aluminium

- **Robust:**
6mm thick aluminium or stainless steel
- **Rugged:**
Designed to resist vandal attack
- **Waterproof:**
Immersion protected and certified for IP68
- **Performance Optics:**
Superior optical zoom through flat glass window & wiper
- **Precision Control:**
Closed loop speed control
- **Mounting Versatility:**
Upside down or right-side-up, 320° tilt and 360° pan
- **Mobile:**
Vibration resistant, excellent stability, compact design
- **Reliable:**
Field proven reliable performance in extreme conditions

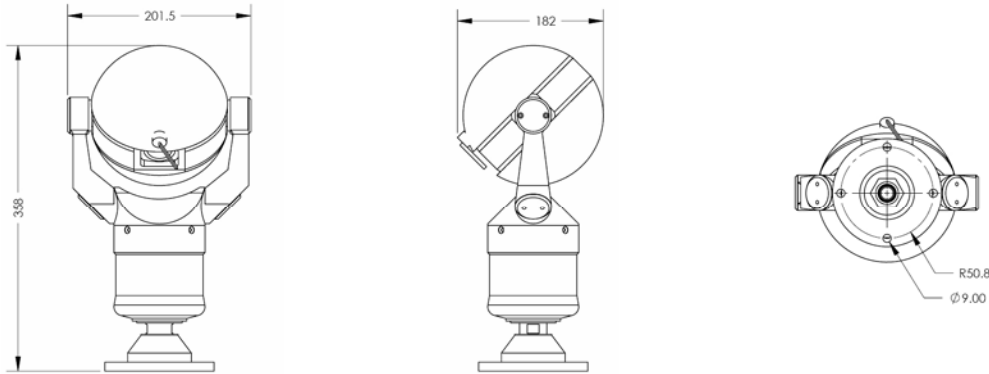
PRODUCT DESCRIPTION

Featuring an innovative Metal PowerDome™ design, the MIC1-400 is a ruggedized PTZ camera engineered for absolute PTZ performance. The MIC1-400's machined metal ball head allows the most versatile pan-tilt operation of any speed dome, capturing images from both above and below the camera. Constructed of CNC-milled 6mm thick aluminium or stainless steel, MIC1-400 is certified to IP68 / NEMA 4X for performance in extreme weather environments. Patents held and international patents pending.

APPLICATIONS

- **Traditional CCTV:** Town centres, car parks, traffic and highways monitoring, shopping centres, schools.
- **Broadcast:** Channel 4's Big Brother and Spring Watch.
- **Rapid Deployment:** Police vehicles, building site security, perimeter security.
- **Hazardous Environments:** Nuclear power stations, seafronts, harbours, shipping.
- **Military:** Army, Navy.
- **Prestigious Developments:** Museums, visitor centres, science parks, heritage town centres.
- **Hostile Environments:** Problem housing estates, high crime areas.
- **High Security:** Police HQ, embassies, airports.
- **System upgrades:** replacing conventional cameras.



TECHNICAL DRAWINGS

SPECIFICATIONS

	MIC1-400 PowerDome™ PTZ Camera
Image Sensor	1/4" Exview HAD colour / monochrome CCD
Filter	Automatic mechanical IR cut filter
Resolution	470 TVL PAL standard (NTSC available)
Minimum Illumination	0.7 Lux @ F1.4 (1/60s) 0.05 Lux @ F1.4 (1/4s)
Zoom	18x optical 12x digital 216x total
Lens Focal Length	4.1mm to 73.8mm
Angle of View	48° wide 2.7° telephoto
Focus system	Auto or manual focus
Drive Unit	Integral pan / tilt motor drive
Pan	360° continuous pan
Tilt	320°
Pan-Tilt Speed	Up to 90° per second
Speed Control	Closed loop electronics
Repeatability	Better than 0.08° pan / tilt preset accuracy
Communication	RS485 / RS422
Control Protocol	Refer to protocol sheet for supported protocols
Window Wiper	Optional - order separately.
Heater	Optional - order separately.
Operational Temp.	-20°C to +60°C
Configuration	90° straight standard. Upside down mount and 45° yoke available
Construction	Aluminum or stainless steel PowerDome™ design, sealed to IP68
Finish	Powder coated finish. Black standard, grey & white optional, additional RAL colours POA
Mounting Bracketry	Order separately.
Power / Video Cabling	Order separately - select from 2, 10, 15, 20 or 25 meters.
Power Supply	Order separately - select from 240V, 120V, 12VDC or 24VAC
Power Consumption	25.2W max.
Dimensions (D x H x W)	Ø165mm x 360mm x 205mm Ø6.5" x 14.2" x 8.1"
Weight	4.5kg / 10lbs
Environmental	NEMA 4x IP68
Warranty	3 year warranty

CERTIFICATES & COMPLIANCE

Contact Forward Vision for full details

Mic1-400_Aluminium-FV-EW_250607

Dealer / Distributor


Forward Vision
 T: +44 (0) 870 011 3131
 F: +44 (0) 870 011 3132
 E: Sales@FVCCTV.com
 www.FVCCTV.com

Extreme CCTV Inc
 T: +1 604 420 7711
 F: +1 604 420 3300
 E: Sales@ExtremeCCTV.com
 www.ExtremeCCTV.com